

THIS DRAWING REPRESENTS MINIMUM INDUSTRY STANDARDS. CONSULT MANUFACTURER FOR INSTALLATION DETAILS.

Private

THE CITY OF LYNCHBURG



REDUCED PRESSURE PRINCIPLE BACKFLOW
PREVENTION ASSEMBLY 5/8" TO 2" METERS

USE WITH THE CITY OF LYNCHBURG STANDARD SPECIFICATIONS ONLY

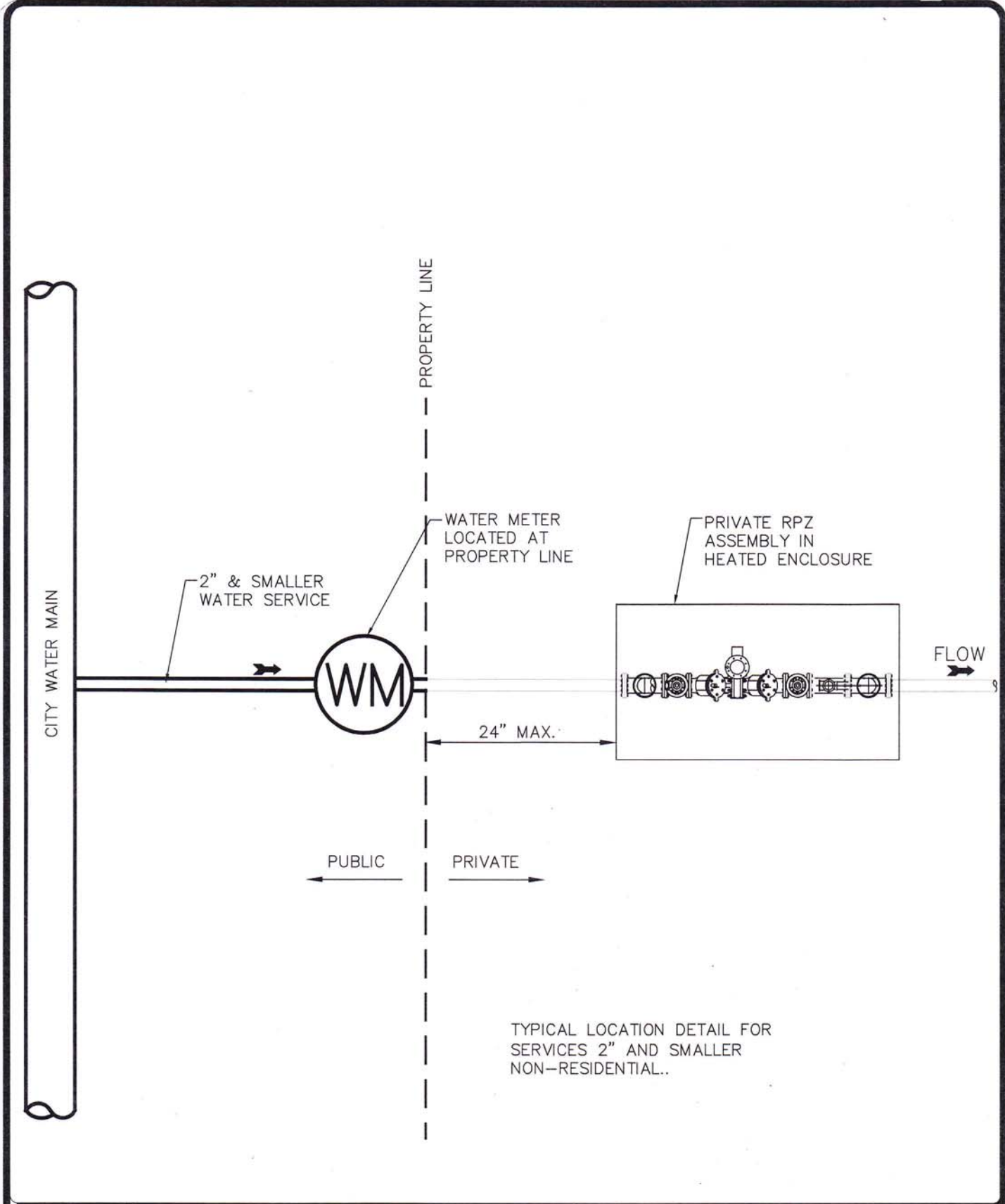
SCALE:
NOT TO SCALE

REVISION DATE:
12-15-2016

DETAIL #
26.19B

SHEET #:
1 OF 3

2/17/2017 - 3:31:08pm



TYPICAL LOCATION DETAIL FOR SERVICES 2" AND SMALLER NON-RESIDENTIAL..



THE CITY OF LYNCHBURG

REDUCED PRESSURE PRINCIPLE BACKFLOW PREVENTION ASSEMBLY 5/8" TO 2" METERS

USE WITH THE CITY OF LYNCHBURG STANDARD SPECIFICATIONS ONLY

SCALE:
NOT TO SCALE

REVISION DATE:
12-15-2016

DETAIL #
26.19B

SHEET #:
2 OF 3

NOTES:

1. REDUCED PRESSURE PRINCIPLE ZONE (RPZ) BACKFLOW PREVENTION ASSEMBLIES SHALL BE ASSE 1013 AND USC APPROVED, AND 0.25% LEAD-FREE. ASSEMBLIES WHICH MEET THIS SPECIFICATION SHOULD BE CONFIRMED PRIOR TO ORDERING, BY REVIEWING THE LIST OF USC APPROVED ASSEMBLIES AT <http://fccchr.usc.edu/list.html> THOSE MARKED WITH PB: YES ARE 0.25% LEAD FREE; ALL OTHER NOTATIONS WITHIN THE LIST REGARDING A PARTICULAR MAKE AND MODEL ARE RELEVANT TO ITS USC APPROVAL.
2. RPZ'S SHALL BE LOCATED AS CLOSE TO THE PROPERTY LINE AND METER AS POSSIBLE UNLESS A WAIVER IS SUBMITTED AND APPROVED IN ADVANCE BY THE DEPARTMENT OF WATER RESOURCES. IF A WAIVER IS GRANTED AND A RPZ IS INSTALLED INSIDE A BUILDING, VERTICAL INSTALLATIONS ARE NOT ALLOWED. CALL 434-455-4216 TO OBTAIN INFORMATION ON THE REQUIRED DOCUMENTATION FOR THE WAIVER REQUEST.
3. RPZ'S SHALL BE INSTALLED ABOVE GROUND IN AN ASSE 1060 APPROVED HEATED ENCLOSURE.
4. SHUT OFF VALVES ARE TO BE SHIPPED FROM THE MANUFACTURER AS PART OF THE UNIT. NO SUBSTITUTIONS WILL BE PERMITTED. NO MODIFICATIONS OR ALTERATIONS OF ANY SORT SHALL BE MADE TO THE ASSEMBLY AS SHIPPED FROM THE MANUFACTURER.
5. A MINIMUM OF 2 FEET SHALL BE ALLOWED AT THE FRONT AND REAR OF EACH ASSEMBLY, WITH A MINIMUM OF 1 FOOT AT EACH END TO ALLOW SUFFICIENT SPACE FOR EASE IN TESTING AND MAINTENANCE.
6. THE LINE SHALL BE FLUSHED THOROUGHLY BEFORE INSTALLING THE RPZ TO PREVENT ANY DEBRIS FROM FOULING THE CHECK VALVES CAUSING THE UNIT TO FAIL THE TEST.
7. A STRAINER IS SUGGESTED BUT NOT MANDATORY.
8. UPON COMPLETION OF INSTALLATION CONTRACTOR SHALL NOTIFY THE COMPLIANCE SPECIALIST AT 434-455-4261. AN INITIAL TEST SHALL BE PERFORMED BY A STATE CERTIFIED BACKFLOW PREVENTION DEVICE WORKER TO VERIFY THE ASSEMBLY IS FUNCTIONING CORRECTLY WITH A COPY OF A PASSING TEST SUBMITTED TO THE DEPARTMENT OF WATER RESOURCES. AFTER THE INITIAL TEST, THE PROPERTY OWNER IS RESPONSIBLE FOR THE TEST DUE EACH YEAR ON THE SAME MONTH AS THE INITIAL TEST. THIS TEST SHALL BE COMPLETED BY A CERTIFIED TESTER REGISTERED WITH THE DEPARTMENT OF WATER RESOURCES. A COPY OF A PASSING TEST SHALL BE SUBMITTED TO THE COMPLIANCE SPECIALIST.
9. NO BYPASS IS ALLOWED AROUND THE RPZ ASSEMBLY. NO TAKEOFFS OR CROSS CONNECTIONS ARE ALLOWED IN FRONT OF THE RPZ TO INCLUDE, BUT NOT BE LIMITED TO: PRESSURE REDUCING VALVES, ISOLATION OR EXTRA SHUT OFF VALVES, "BLOW DOWNS", DRAIN PORTS, HOSES, EXTRA PIPING. IF A PRESSURE REDUCING VALVE IS NEEDED, ITS USE SHALL BE REVIEWED IN ADVANCE WITH THE COMPLIANCE SPECIALIST.
10. ASSEMBLY IS PRIVATELY OWNED AND MAINTAINED. ALL PIPING ON PRIVATE PROPERTY, EXCLUDING THE RPZ, SHALL BE INSPECTED BY THE CITY BUILDING OFFICIAL.
11. CALCULATIONS TO REVIEW THE AMOUNT OF AVAILABLE WATER PRESSURE AT THE SITE PRIOR TO THE INSTALLATION OF ANY RPZ OR RPDA ASSEMBLY AND THE ESTIMATED EFFECT OF SAID INSTALLATION ARE STRONGLY RECOMMENDED.
12. NO BACKFLOW PREVENTION ASSEMBLY SHALL BE REMOVED, RELOCATED, OR REPLACED WITHOUT PRIOR AUTHORIZATION FROM THE DEPARTMENT OF WATER RESOURCES.
13. ALL PIPE AND FITTINGS USED INSIDE THE ENCLOSURE SHALL BE IN ACCORDANCE WITH MANUFACTURER'S INSTRUCTIONS AND THE MOST CURRENT VERSION OF THE INTERNATIONAL PLUMBING CODE AS ADOPTED BY THE COMMONWEALTH OF VIRGINIA; THE ASSEMBLY SHALL BE PROPERLY RESTRAINED (BRACED).
14. INSTALLATION, REPLACEMENT, OR RELOCATION OF BACKFLOW PREVENTION ASSEMBLIES SHALL ONLY BE DONE IN ACCORDANCE WITH VIRGINIA TITLE 54.1, CHAPTER 11, AND AS DEFINED IN THE BOARD FOR CONTRACTORS REGULATIONS AT <http://www.dpor.virginia.gov/Boards/Contractors/>.
15. ONLY PROPERLY SUPPORTED OUTDOOR GFIC ELECTRICAL RECEPTACLES SHALL BE USED IN THE ENCLOSURE SPECIFIED. ALL RECEPTACLES SHALL BE INSTALLED IN ACCORDANCE WITH ALL APPLICABLE LAWS, ORDINANCES, AND REGULATIONS. RECEPTACLES SHALL NOT BE PLACED DIRECTLY BELOW THE RPZ. ELECTRICAL WORK SHALL BE INSPECTED BY THE CITY BUILDING OFFICIAL.

Private

THE CITY OF LYNCHBURG



REDUCED PRESSURE PRINCIPLE BACKFLOW
PREVENTION ASSEMBLY 5/8" TO 2" METERS

USE WITH THE CITY OF LYNCHBURG STANDARD SPECIFICATIONS ONLY

SCALE:
NOT TO SCALE

DETAIL #
26.19B

REVISION DATE:
12-15-2016

SHEET #:
3 OF 3

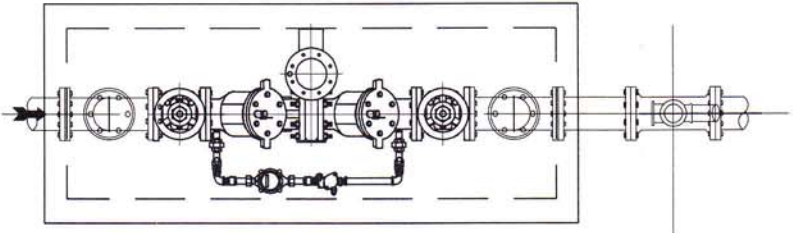
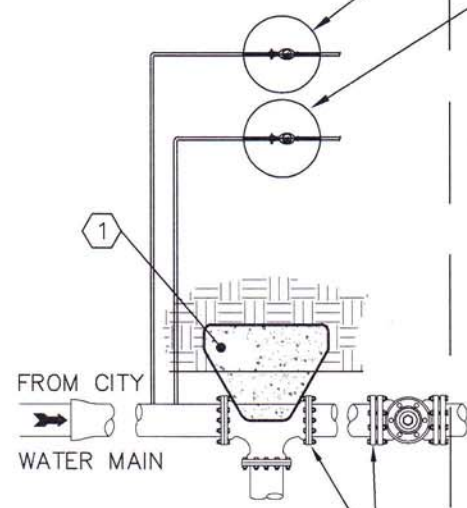
PROPERTY LINE

DOMESTIC SERVICE REDUCED PRESSURE PRINCIPLE ZONE (RPZ) BACKFLOW PREVENTION ASSEMBLIES AS REQUIRED SHALL BE ASSE 1013 AND USC APPROVED, AND 0.25% LEAD FREE.

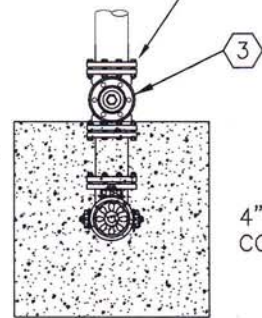
IRRIGATION SERVICE REDUCED PRESSURE PRINCIPLE ZONE (RPZ) BACKFLOW PREVENTION ASSEMBLIES AS REQUIRED SHALL BE ASSE 1013 AND USC APPROVED, AND 0.25% LEAD FREE.

REDUCED PRESSURE PRINCIPLE DETECTOR (RPDA) BACKFLOW PREVENTION ASSEMBLIES SHALL BE ASSE 1047 AND USC APPROVED, AND 0.25% LEAD FREE.

DOMESTIC AND/OR IRRIGATION RPZ'S MAY BE INSTALLED IN ASSE 1060 ENCLOSURE WITH RPDA, AS LONG AS THEY ARE INSTALLED WITH THE ALLOWANCES WHICH ARE REQUIRED AROUND EACH ASSEMBLY.



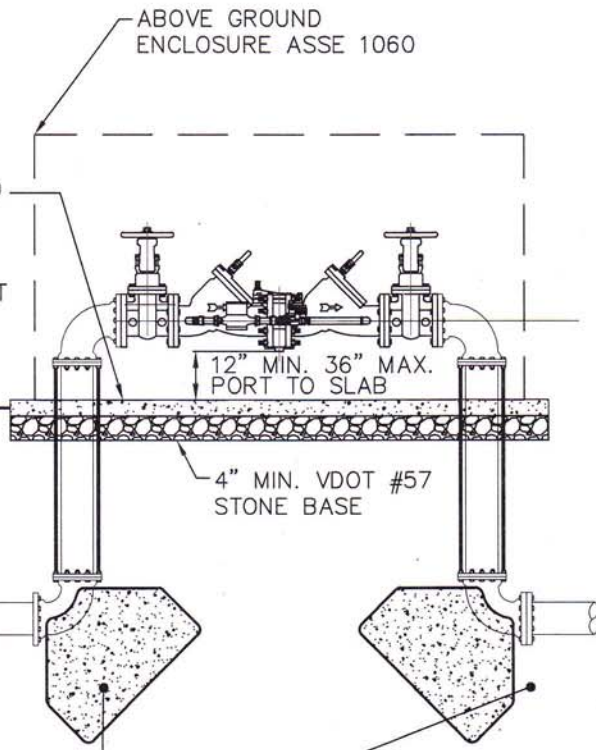
4'X4'X4" CONCRETE PAD



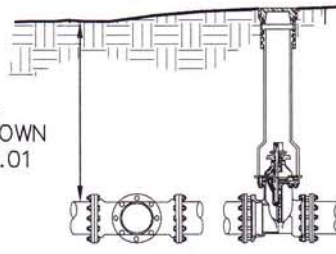
4" THICK CONC. PAD

ABOVE GROUND ENCLOSURE ASSE 1060

FIRE HYDRANT REQUIRED IF FIRE DEPARTMENT CONNECTION IS GREATER THAN 50' FROM NEAREST CITY FIRE HYDRANT. (SEE CITY STANDARD DETAIL 26.09)



MAINTAIN MIN. COVER AS SHOWN ON DETAIL 26.01



2/17/2017 - 3:20:01pm



THE CITY OF LYNCHBURG

RPDA—FOR INDEPENDENT FIRE SERVICE OR PRIVATE HYDRANT INSTALLATION WITH DOMESTIC AND IRRIGATION SERVICES

USE WITH THE CITY OF LYNCHBURG STANDARD SPECIFICATIONS ONLY

SCALE:
NOT TO SCALE

DETAIL #
26.20B

REVISION DATE:
12-15-2016

SHEET #:
1 OF 3

LEGEND

- ① ANCHOR BLOCKING – SEE STANDARD DETAIL 26.02.
- ② TIE ROD ANCHORS – SEE STANDARD DETAIL 26.03.
- ③ AWWA C-509 RESILIENT WEDGE GATE VALVE.
- ④ MECHANICAL JOINT RESTRAINT (RESTRAINED JOINT THRUST RING) TYP.

NOTES:

1. ALL PIPE AND FITTINGS USED INSIDE THE ENCLOSURE SHALL BE FLANGED DUCTILE IRON. CONCRETE FOR SUPPORTS AND ANCHORS SHALL BE 3000 PSI.
2. ALL NON-FLANGED FITTINGS SHALL BE TIED WITH THREADED ROD TO ADJACENT FITTINGS AS GENERALLY SHOWN ON THIS SHEET. MEGALUG OR APPROVED EQUAL MAY BE SUBSTITUTED FOR TIE RODS AT MECHANICAL JOINTS.
3. ALL DIMENSIONS SHALL BE VERIFIED BY CONTRACTOR.
4. ONE ACCESS DOOR KEY SHALL BE SUBMITTED TO THE METER SUPERVISOR WITH THE DEPARTMENT OF WATER RESOURCES.
5. UPON COMPLETION OF INSTALLATION CONTRACTOR SHALL NOTIFY THE COMPLIANCE SPECIALIST AT 434-455-4261. AN INITIAL TEST SHALL BE PERFORMED BY A STATE CERTIFIED BACKFLOW PREVENTION DEVICE WORKER TO VERIFY THE ASSEMBLY IS FUNCTIONING CORRECTLY WITH A COPY OF A PASSING TEST SUBMITTED TO THE DEPARTMENT OF WATER RESOURCES. AFTER THE INITIAL TEST, THE PROPERTY OWNER IS RESPONSIBLE FOR THE TEST DUE EACH YEAR ON THE SAME MONTH AS THE INITIAL TEST. THIS TEST SHALL BE COMPLETED BY A CERTIFIED TESTER REGISTERED WITH THE DEPARTMENT OF WATER RESOURCES. A COPY OF A PASSING TEST SHALL BE SUBMITTED TO THE COMPLIANCE SPECIALIST.
6. ALL RPZ AND RPDA INSTALLATIONS ARE PRIVATELY OWNED AND MAINTAINED. ALL PIPING ON PRIVATE PROPERTY, EXCLUDING THE RPZ, SHALL BE INSPECTED BY THE CITY BUILDING OFFICIAL.
7. REDUCED PRESSURE PRINCIPLE ZONE (RPZ) BACKFLOW PREVENTION ASSEMBLIES ARE REQUIRED ON DOMESTIC AND IRRIGATION SERVICES. REDUCED PRESSURE PRINCIPLE DETECTOR (RPDA) BACKFLOW PREVENTION ASSEMBLIES ARE REQUIRED ON FIRE CONNECTIONS.
8. ALL RPZ OR RPDA BACKFLOW PREVENTION ASSEMBLIES, PIPE AND FITTINGS INSIDE THE ENCLOSURE SHALL BE INSTALLED TO MANUFACTURER'S INSTRUCTIONS AND MOST CURRENT VERSION OF THE INTERNATIONAL PLUMBING CODE AS ADOPTED BY THE COMMONWEALTH OF VIRGINIA. EACH ASSEMBLY SHALL ALSO BE PROPERLY RESTRAINED (BRACED).
9. RPZ'S AND RPDA'S SHALL BE LOCATED AS CLOSE TO THE PROPERTY LINE AND METER OR CONNECTION TO THE CITY MAIN AS POSSIBLE UNLESS A WAIVER IS SUBMITTED AND APPROVED IN ADVANCE BY THE DEPARTMENT OF WATER RESOURCES. IF A WAIVER IS GRANTED AND EITHER A RPZ OR RPDA IS INSTALLED INSIDE A BUILDING, VERTICAL INSTALLATIONS ARE NOT ALLOWED. CALL 434-455-4216 TO OBTAIN INFORMATION ON THE REQUIRED DOCUMENTATION FOR THE WAIVER REQUEST.
10. A MINIMUM OF 2 FEET SHALL BE ALLOWED AT THE FRONT AND REAR OF EACH ASSEMBLY, WITH A MINIMUM OF 1 FOOT AT EACH END TO ALLOW SUFFICIENT SPACE FOR EASE IN TESTING AND MAINTENANCE.
11. CALCULATIONS TO REVIEW THE AMOUNT OF AVAILABLE WATER PRESSURE AT THE SITE PRIOR TO THE INSTALLATION OF ANY RPZ OR RPDA ASSEMBLY AND THE ESTIMATED EFFECT OF SAID INSTALLATION ARE STRONGLY RECOMMENDED.
12. NO BACKFLOW PREVENTION ASSEMBLY SHALL BE REMOVED, RELOCATED, OR REPLACED WITHOUT PRIOR AUTHORIZATION FROM THE DEPARTMENT OF WATER RESOURCES.
13. ANY FIRE DEPARTMENT CONNECTION (FDC) SHALL BE LOCATED AS PER THE FIRE MARSHAL AND NFPA. ALL FDC'S MUST BE DOWNSTREAM OF THE RPZ OR RPDA.



THE CITY OF LYNCHBURG

RPDA-FOR INDEPENDENT FIRE SERVICE
OR PRIVATE HYDRANT INSTALLATION
WITH DOMESTIC AND IRRIGATION SERVICES

USE WITH THE CITY OF LYNCHBURG STANDARD SPECIFICATIONS ONLY

SCALE:
NOT TO SCALE

DETAIL #
26.20B

REVISION DATE:
12-15-2016

SHEET #:
2 OF 3

NOTES:

- 14. INSTALLATION, REPLACEMENT, OR RELOCATION OF BACKFLOW PREVENTION ASSEMBLIES SHALL ONLY BE DONE IN ACCORDANCE WITH VIRGINIA TITLE 54.1, CHAPTER 11, AND AS DEFINED IN THE BOARD FOR CONTRACTORS REGULATIONS AT <http://www.dpor.virginia.gov/Boards/Contractors/>
- 15. RPDA AND RPZ ASSEMBLIES WHICH MEET THE REQUIRED SPECIFICATIONS SHOULD BE CONFIRMED PRIOR TO ORDERING, BY REVIEWING THE LIST OF USC APPROVED ASSEMBLIES AT <http://fccchr.usc.edu/list.html> THOSE MARKED WITH PB: YES ARE 0.25% LEAD FREE; ALL OTHER NOTATIONS WITHIN THE LIST REGARDING A PARTICULAR MAKE AND MODEL ARE RELEVANT TO ITS USC APPROVAL.
- 16. RPDA'S AND RPZ'S SHALL BE INSTALLED ABOVE GROUND IN AN ASSE 1060 APPROVED HEATED ENCLOSURE.
- 17. SHUT OFF VALVES ARE TO BE SHIPPED FROM THE MANUFACTURER AS PART OF THE UNIT. NO SUBSTITUTIONS WILL BE PERMITTED. NO MODIFICATIONS OR ALTERATIONS OF ANY SORT SHALL BE MADE TO THE ASSEMBLY AS SHIPPED FROM THE MANUFACTURER.
- 18. THE LINE SHALL BE FLUSHED THOROUGHLY BEFORE INSTALLING THE RPDA TO PREVENT ANY DEBRIS FROM FOULING THE CHECK VALVES CAUSING THE UNIT TO FAIL THE TEST.
- 19. A STRAINER IS SUGGESTED BUT NOT MANDATORY.
- 20. NO BYPASS IS ALLOWED AROUND ANY RPDA OR RPZ ASSEMBLY. NO TAKEOFFS OR CROSS CONNECTIONS ARE ALLOWED IN FRONT OF ANY RPDA OR RPZ TO INCLUDE, BUT NOT BE LIMITED TO: PRESSURE REDUCING VALVES, ISOLATION OR EXTRA SHUT OFF VALVES, "BLOW DOWNS", DRAIN PORTS, HOSES, EXTRA PIPING. IF A PRESSURE REDUCING VALVE IS NEEDED, ITS USE SHALL BE REVIEWED IN ADVANCE WITH THE COMPLIANCE SPECIALIST.
- 21. ONLY PROPERLY SUPPORTED OUTDOOR GFIC ELECTRICAL RECEPTACLES SHALL BE USED IN THE ENCLOSURE SPECIFIED. ALL RECEPTACLES SHALL BE INSTALLED IN ACCORDANCE WITH ALL APPLICABLE LAWS, ORDINANCES, AND REGULATIONS. RECEPTACLES SHALL NOT BE PLACED DIRECTLY BELOW THE RPZ. ELECTRICAL WORK SHALL BE INSPECTED BY THE CITY BUILDING OFFICIAL.

2/24/2017 - 9:49:48am



THE CITY OF LYNCHBURG

RPDA—FOR INDEPENDENT FIRE SERVICE
OR PRIVATE HYDRANT INSTALLATION
WITH DOMESTIC AND IRRIGATION SERVICES

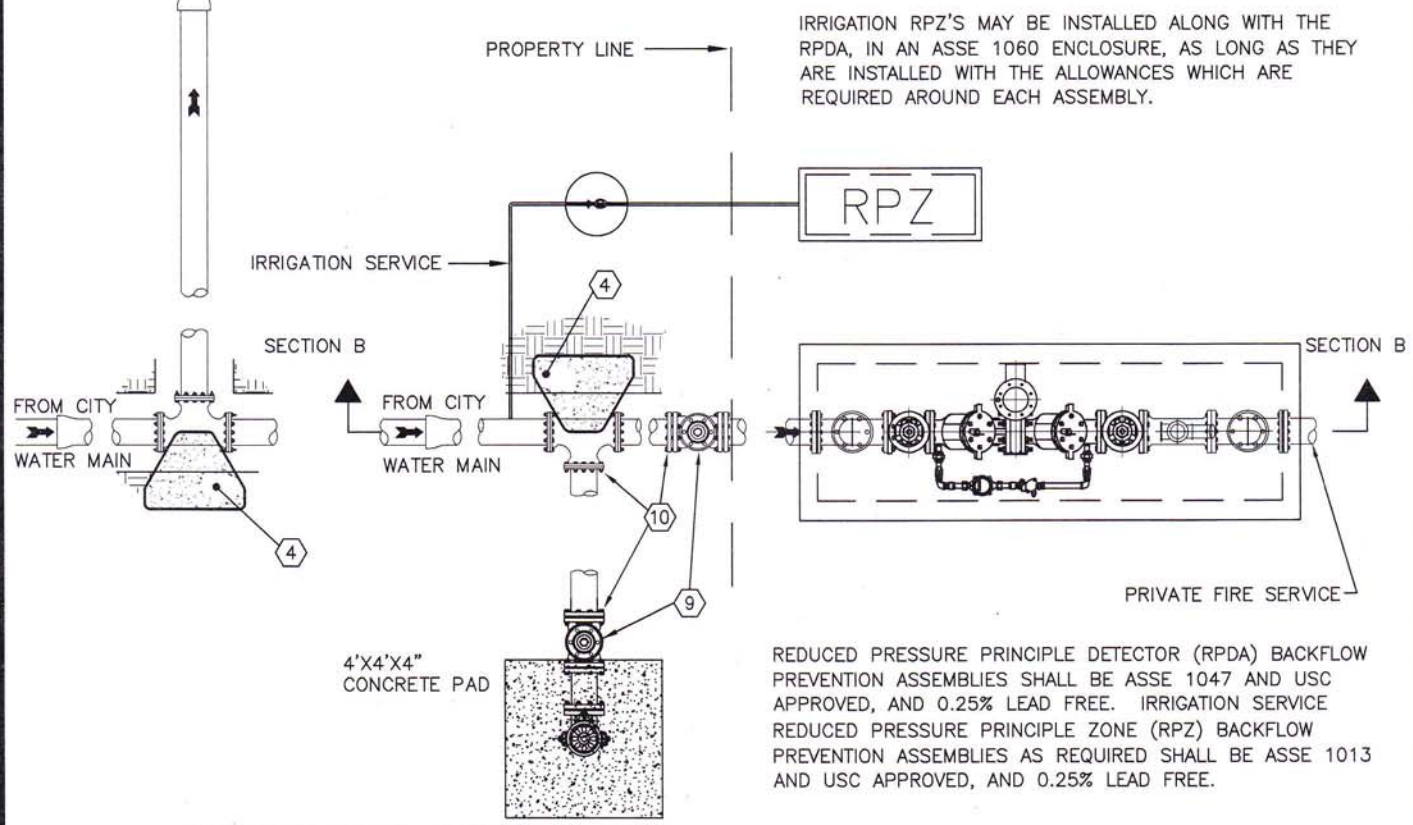
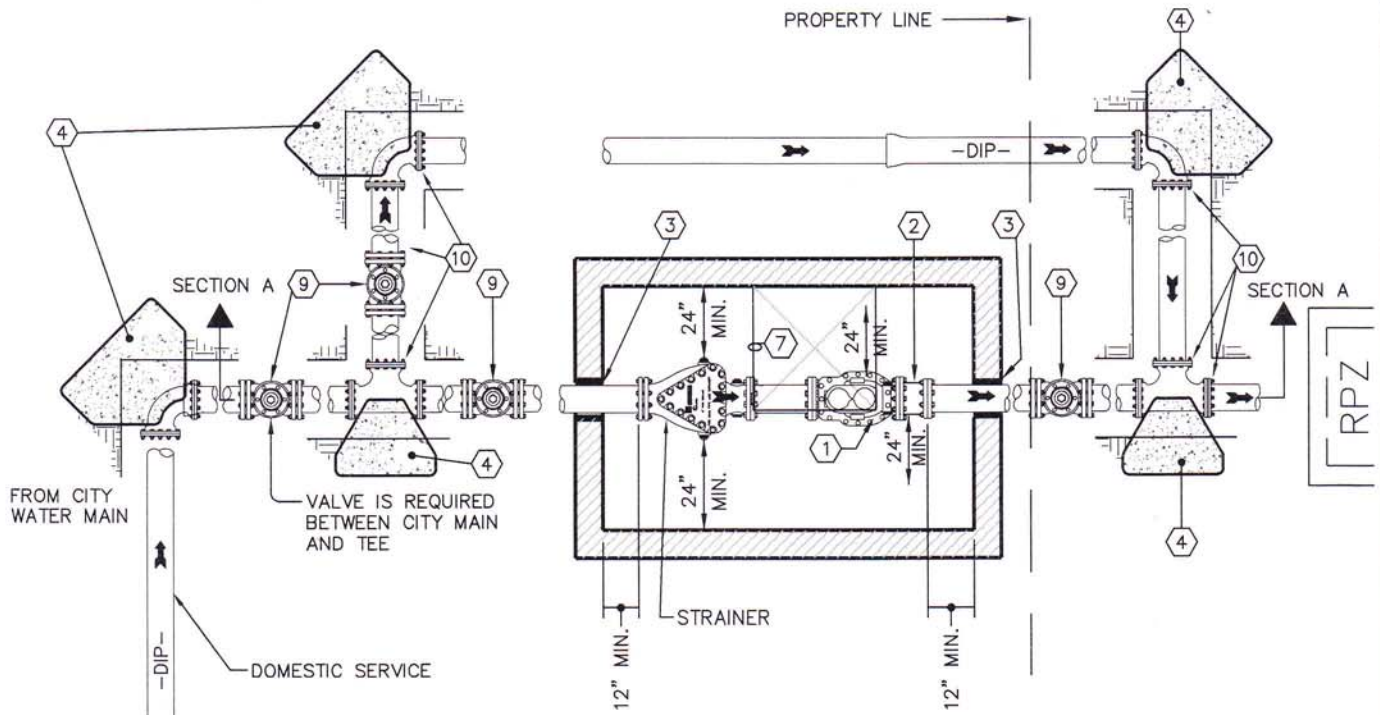
USE WITH THE CITY OF LYNCHBURG STANDARD SPECIFICATIONS ONLY

SCALE:
NOT TO SCALE

REVISION DATE:
12-15-2016

DETAIL #
26.20B

SHEET #:
3 OF 3



IRRIGATION RPZ'S MAY BE INSTALLED ALONG WITH THE RPDA, IN AN ASSE 1060 ENCLOSURE, AS LONG AS THEY ARE INSTALLED WITH THE ALLOWANCES WHICH ARE REQUIRED AROUND EACH ASSEMBLY.

REDUCED PRESSURE PRINCIPLE DETECTOR (RPDA) BACKFLOW PREVENTION ASSEMBLIES SHALL BE ASSE 1047 AND USC APPROVED, AND 0.25% LEAD FREE. IRRIGATION SERVICE REDUCED PRESSURE PRINCIPLE ZONE (RPZ) BACKFLOW PREVENTION ASSEMBLIES AS REQUIRED SHALL BE ASSE 1013 AND USC APPROVED, AND 0.25% LEAD FREE.

FIRE HYDRANT REQUIRED IF FIRE DEPARTMENT CONNECTION IS GREATER THAN 50' FROM NEAREST CITY FIRE HYDRANT. (SEE CITY STANDARD DETAIL 26.09)

2/17/2017 - 3:15:33pm



THE CITY OF LYNCHBURG

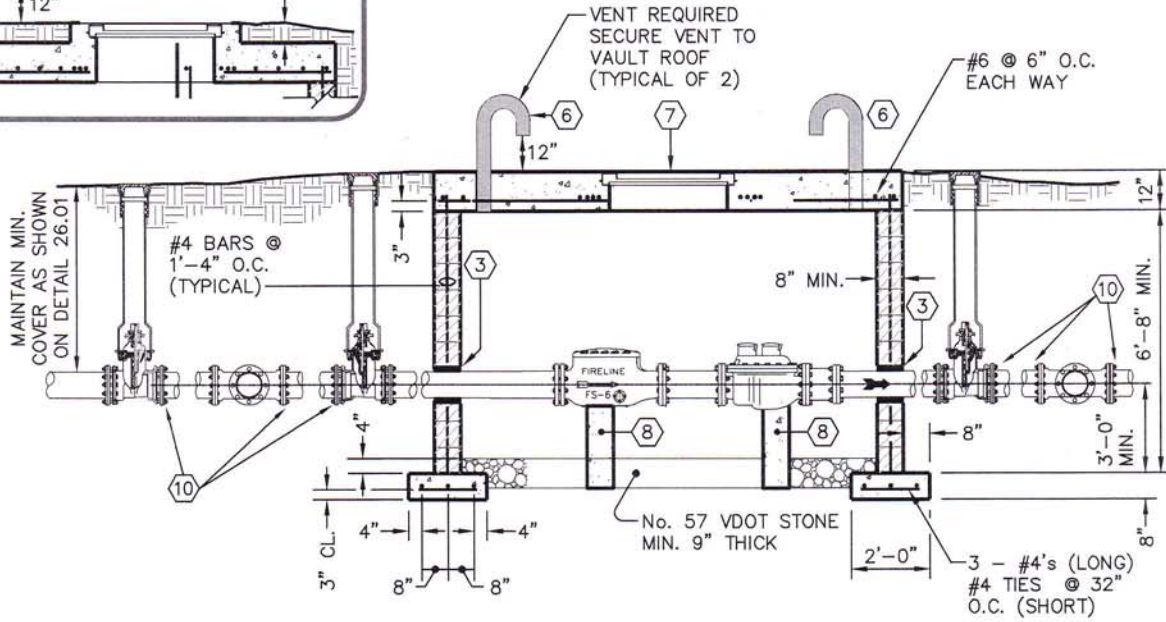
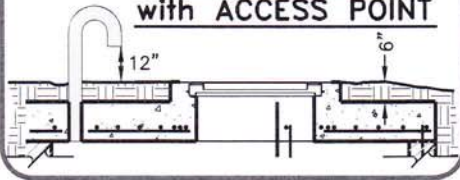
COMPOUND METER VAULT W/SEPARATE FIRE LINE WITH RPDA AND IRRIGATION SERVICE

USE WITH THE CITY OF LYNCHBURG STANDARD SPECIFICATIONS ONLY

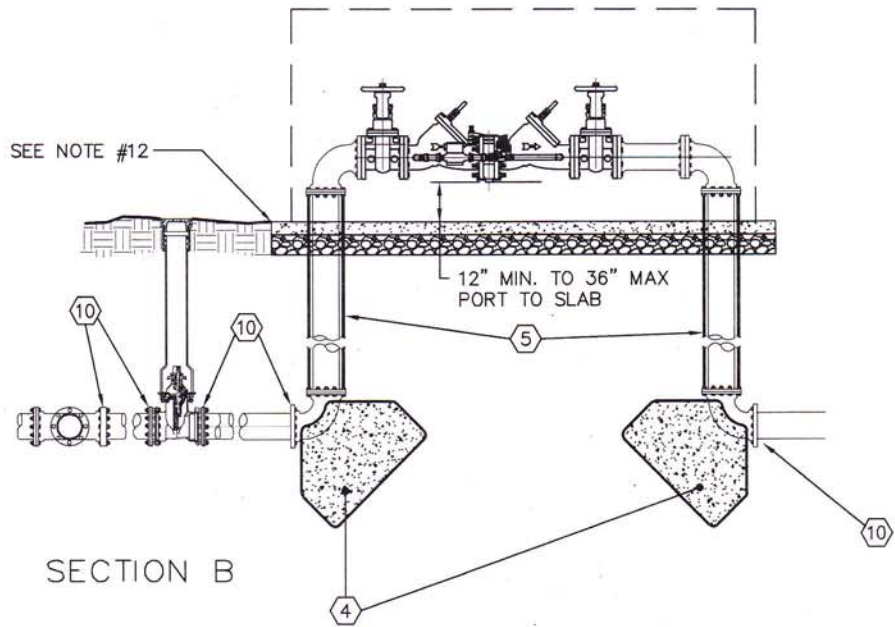
SCALE:
NOT TO SCALE
REVISION DATE:
12-15-2016

DETAIL #
26.21
SHEET #:
1 OF 5

**OPTIONAL TOP
with ACCESS POINT**



SECTION A



SECTION B

2/17/2017 - 3:16:25pm



THE CITY OF LYNCHBURG

COMPOUND METER VAULT W/SEPARATE FIRE LINE WITH RPDA AND IRRIGATION SERVICE

USE WITH THE CITY OF LYNCHBURG STANDARD SPECIFICATIONS ONLY

SCALE:
NOT TO SCALE

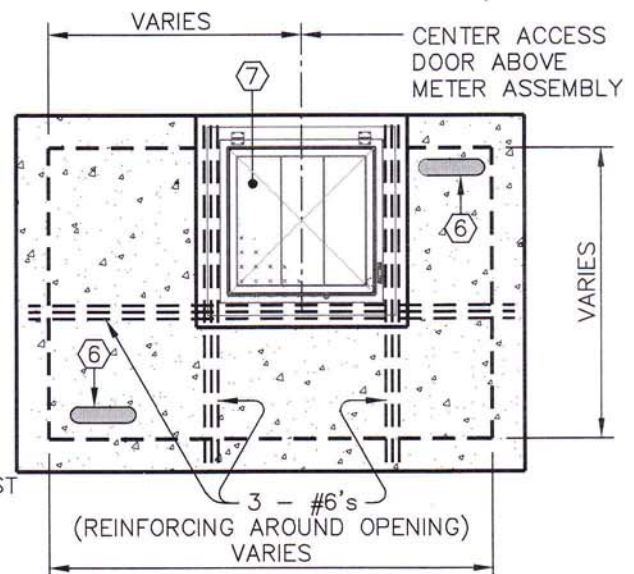
REVISION DATE:
12-15-2016

DETAIL #
26.21

SHEET #:
2 OF 5

LEGEND

- ① COMPOUND METER ASSEMBLY.
METER TO READ IN CUBIC FEET.
- ② DUCTILE IRON FLANGED ADAPTER (DRESSER #127 OR APPROVED EQUAL).
- ③ WALL SLEEVE WITH LINK SEAL OR APPROVED EQUAL.
- ④ ANCHOR BLOCKING — SEE STANDARD DETAIL 26.02.
- ⑤ TIE ROD ANCHORS — SEE STANDARD DETAIL 26.03.
- ⑥ 4" DIAMETER STEEL VENT PIPE WITH BRASS INSECT SCREEN OVER OUTSIDE END. (STYLE EITHER 180° BEND OR MUSHROOM) (2 REQUIRED)
- ⑦ 36" X 36" ALUMINUM ACCESS HATCH — BILCO MODEL "J-4AL" OR APPROVED EQUAL.
- ⑧ CONCRETE SUPPORTS
- ⑨ AWWA C-509 RESILIENT WEDGE GATE VALVE.
- ⑩ MECHANICAL JOINT RESTRAINT (RESTRAINED JOINT THRUST RINGS)



NOTES:

1. THESE DRAWINGS ARE APPROVED STANDARDS FOR THE INSTALLATION OF LARGE WATER METERS AND THE CONSTRUCTION OF C.M.U. VAULTS. ANY DEVIATIONS FROM THESE STANDARDS SHALL BE REVIEWED AND APPROVED BY THE CITY ENGINEER. NOTE MINIMUM CLEARANCE DIMENSIONS.
2. ALL PIPE AND FITTINGS USED INSIDE THE VAULT OR ENCLOSURE SHALL BE FLANGED DUCTILE IRON; EACH ASSEMBLY SHALL ALSO BE PROPERLY RESTRAINED (BRACED).
3. CONCRETE FOR SUPPORTS AND ANCHORS SHALL BE 3000 PSI.
4. ALL NON-FLANGED FITTINGS SHALL BE TIED WITH THREADED ROD TO ADJACENT FITTINGS AS GENERALLY SHOWN ON THIS SHEET. MEGALUG OR APPROVED EQUAL MAY BE SUBSTITUTED FOR TIE RODS AT MECHANICAL JOINTS.
5. COMPOUND ASSEMBLY SHALL BE ADEQUATELY SUPPORTED BY TWO POURED CONCRETE SUPPORTS SET ON UNDISTURBED EARTH.
6. ALL DIMENSIONS SHALL BE VERIFIED BY CONTRACTOR.
7. SLEEVES SHALL BE SUFFICIENT IN SIZE TO ACCOMMODATE PIPE AND PENETRATION SEAL. SEAL SHALL BE LINK SEAL OR APPROVED EQUAL.
8. VAULT IS NOT DESIGNED TO SUPPORT VEHICULAR TRAFFIC. IF VEHICULAR TRAFFIC MUST PASS OVER VAULT, THE VAULT SHALL BE DESIGNED FOR TRAFFIC LOADING BY A LICENSED ENGINEER.
9. WALLS ARE TO BE CONSTRUCTED OF CONCRETE MASONRY UNITS (C.M.U.) MEETING REQUIREMENTS OF ASTM C-139. MORTAR JOINTS ON INTERIOR TO BE FINISHED FLUSH AND MAY BE LEFT EXTRUDED ON EXTERIOR FACES TO BE UNDERGROUND. C.M.U. TO BE COMPLETELY FILLED WITH GROUT AFTER WALLS ARE COMPLETED AND ALL REINFORCING STEEL IS IN PLACE. GROUT SHALL CONSIST OF ONE PART PORTLAND CEMENT FOR 3 PARTS SAND, THOROUGHLY MIXED WITH WATER TO PRODUCE GROUT HAVING A THICK CREAMY CONSISTENCY.
10. THE CONTRACTOR MAY SUBSTITUTE A PRE CAST OR CAST-IN-PLACE VAULT. THE VAULT SHALL MEET THE MINIMUM DIMENSIONS AS SHOWN ON THE DRAWING.
11. DEFORMED REINFORCING BARS SHALL CONFORM TO ASTM A-615 GRADE 60. ALL REINFORCING BAR DIMENSIONS ON THIS DRAWING ARE TO CENTER OF BARS.
12. AS AN OPTION, THE FLOOR OF VAULT MAY BE POURED WITH 4" MIN. OF 3000 PSI CONCRETE WITH FLOOR DRAIN INSTALLED TO DAYLIGHT.
13. ONE ACCESS DOOR KEY SHALL BE SUBMITTED TO THE METER SUPERVISOR WITH THE DEPARTMENT OF WATER RESOURCES.



THE CITY OF LYNCHBURG

COMPOUND METER VAULT W/SEPARATE FIRE LINE WITH RPDA AND IRRIGATION SERVICE

USE WITH THE CITY OF LYNCHBURG STANDARD SPECIFICATIONS ONLY

SCALE:
NOT TO SCALE

REVISION DATE:
12-15-2016

DETAIL #
26.21

SHEET #:
3 OF 5

NOTES:

14. UPON COMPLETION OF INSTALLATION CONTRACTOR SHALL NOTIFY THE COMPLIANCE SPECIALIST AT 434-455-4261. AN INITIAL TEST SHALL BE PERFORMED BY A STATE CERTIFIED BACKFLOW PREVENTION DEVICE WORKER TO VERIFY THE ASSEMBLY IS FUNCTIONING CORRECTLY WITH A COPY OF A PASSING TEST SUBMITTED TO THE DEPARTMENT OF WATER RESOURCES. AFTER THE INITIAL TEST, THE PROPERTY OWNER IS RESPONSIBLE FOR THE TEST DUE EACH YEAR ON THE SAME MONTH AS THE INITIAL TEST. THIS TEST SHALL BE COMPLETED BY A CERTIFIED TESTER REGISTERED WITH THE DEPARTMENT OF WATER RESOURCES. A COPY OF A PASSING TEST SHALL BE SUBMITTED TO THE COMPLIANCE SPECIALIST.
15. ALL RPZ AND RPDA INSTALLATIONS ARE PRIVATELY OWNED AND MAINTAINED. ALL PIPING ON PRIVATE PROPERTY, EXCLUDING THE RPZ, SHALL BE INSPECTED BY THE CITY BUILDING OFFICIAL.
16. REDUCED PRESSURE PRINCIPLE ZONE (RPZ) BACKFLOW PREVENTION ASSEMBLIES ARE REQUIRED ON DOMESTIC AND IRRIGATION SERVICES. REDUCED PRESSURE PRINCIPLE DETECTOR (RPDA) BACKFLOW PREVENTION ASSEMBLIES ARE REQUIRED ON FIRE CONNECTIONS.
17. RPZ'S AND RPDA'S SHALL BE LOCATED AS CLOSE TO THE PROPERTY LINE AND METER OR CONNECTION TO THE CITY MAIN AS POSSIBLE UNLESS A WAIVER IS SUBMITTED AND APPROVED IN ADVANCE BY THE DEPARTMENT OF WATER RESOURCES. IF A WAIVER IS GRANTED AND A RPZ OR RPDA ARE INSTALLED INSIDE A BUILDING, VERTICAL INSTALLATION IS NOT ALLOWED. CALL 434-455-4216 TO OBTAIN INFORMATION ON THE REQUIRED DOCUMENTATION FOR THE WAIVER REQUEST.
18. A MINIMUM OF 2 FEET SHALL BE ALLOWED AT THE FRONT AND REAR OF EACH ASSEMBLY, WITH A MINIMUM OF 1 FOOT AT EACH END TO ALLOW SUFFICIENT SPACE FOR EASE IN TESTING AND MAINTENANCE.
19. CALCULATIONS TO REVIEW THE AMOUNT OF AVAILABLE WATER PRESSURE AT THE SITE PRIOR TO THE INSTALLATION OF ANY RPZ OR RPDA ASSEMBLY AND THE ESTIMATED EFFECT OF SAID INSTALLATION ARE STRONGLY RECOMMENDED.
20. NO BACKFLOW PREVENTION ASSEMBLY MAY BE REMOVED, RELOCATED, OR REPLACED WITHOUT PRIOR AUTHORIZATION FROM THE DEPARTMENT OF WATER RESOURCES.
21. ANY FIRE DEPARTMENT CONNECTION (FDC) SHALL BE LOCATED AS PER THE FIRE MARSHAL AND NFPA. ALL FDC'S MUST BE DOWNSTREAM OF THE RPZ OR RPDA.
22. INSTALLATION, REPLACEMENT, OR RELOCATION OF BACKFLOW PREVENTION ASSEMBLIES SHALL ONLY BE DONE IN ACCORDANCE WITH VIRGINIA TITLE 54.1, CHAPTER 11, AND AS DEFINED IN THE BOARD FOR CONTRACTORS REGULATIONS AT <http://www.dpor.virginia.gov/Boards/Contractors/>
23. RPDA AND RPZ ASSEMBLIES WHICH MEET THE REQUIRED SPECIFICATIONS SHOULD BE CONFIRMED PRIOR TO ORDERING, BY REVIEWING THE LIST OF USC APPROVED ASSEMBLIES AT <http://fccchr.usc.edu/list.html> THOSE MARKED WITH PB: YES ARE 0.25% LEAD FREE; ALL OTHER NOTATIONS WITHIN THE LIST REGARDING A PARTICULAR MAKE AND MODEL ARE RELEVANT TO ITS USC APPROVAL.
24. ALL PIPE AND FITTINGS USED INSIDE THE ENCLOSURE SHALL BE IN ACCORDANCE WITH MANUFACTURER'S INSTRUCTIONS AND THE MOST CURRENT VERSION OF THE INTERNATIONAL PLUMBING CODE AS ADOPTED BY THE COMMONWEALTH OF VIRGINIA.
25. RPDA'S AND RPZ'S SHALL BE INSTALLED ABOVE GROUND IN AN ASSE 1060 APPROVED HEATED ENCLOSURE. IRRIGATION RPZ'S MAY BE INSTALLED ALONG WITH THE RPDA, IN AN ASSE 1060 ENCLOSURE, AS LONG AS THEY ARE INSTALLED WITH THE ALLOWANCES WHICH ARE REQUIRED AROUND EACH ASSEMBLY. NO MODIFICATIONS OR ALTERATIONS OF ANY SORT SHALL BE MADE TO THE ASSEMBLY AS SHIPPED FROM THE MANUFACTURER.
26. SHUT OFF VALVES ARE TO BE SHIPPED FROM THE MANUFACTURER AS PART OF THE UNIT. NO SUBSTITUTIONS SHALL BE PERMITTED.
27. THE LINE SHALL BE FLUSHED THOROUGHLY BEFORE INSTALLING THE RPDA TO PREVENT ANY DEBRIS FROM FOULING THE CHECK VALVES CAUSING THE UNIT TO FAIL THE TEST.
28. A STRAINER IS MANDATORY ON METERS 3" AND LARGER.

2/17/2017 - 3:17:51pm



THE CITY OF LYNCHBURG

COMPOUND METER VAULT W/SEPARATE FIRE LINE WITH RPDA AND IRRIGATION SERVICE

USE WITH THE CITY OF LYNCHBURG STANDARD SPECIFICATIONS ONLY

SCALE:
NOT TO SCALE

DETAIL #
26.21

REVISION DATE:
12-15-2016

SHEET #:
4 OF 5

NOTES:

- 29. NO BYPASS IS ALLOWED AROUND ANY RPDA OR RPZ ASSEMBLY. NO TAKEOFFS OR CROSS CONNECTIONS ARE ALLOWED IN FRONT OF ANY RPDA OR RPZ TO INCLUDE, BUT NOT BE LIMITED TO: PRESSURE REDUCING VALVES, ISOLATION OR EXTRA SHUT OFF VALVES, "BLOW DOWNS", DRAIN PORTS, HOSES, EXTRA PIPING. IF A PRESSURE REDUCING VALVE IS NEEDED, ITS USE SHALL BE REVIEWED IN ADVANCE WITH THE COMPLIANCE SPECIALIST.
- 30. ONLY PROPERLY SUPPORTED OUTDOOR GFIC ELECTRICAL RECEPTACLES SHALL BE USED IN THE ENCLOSURE SPECIFIED. ALL RECEPTACLES SHALL BE INSTALLED IN ACCORDANCE WITH ALL APPLICABLE LAWS, ORDINANCES, AND REGULATIONS. RECEPTACLES SHALL NOT BE PLACED DIRECTLY BELOW THE RPZ. ELECTRICAL WORK SHALL BE INSPECTED BY THE CITY BUILDING OFFICIAL.

2/24/2017 - 9:44:04am



THE CITY OF LYNCHBURG

COMPOUND METER VAULT W/SEPARATE FIRE LINE WITH RPDA AND IRRIGATION SERVICE

USE WITH THE CITY OF LYNCHBURG STANDARD SPECIFICATIONS ONLY

SCALE:
NOT TO SCALE

REVISION DATE:
12-15-2016

DETAIL #
26.21

SHEET #:
5 OF 5